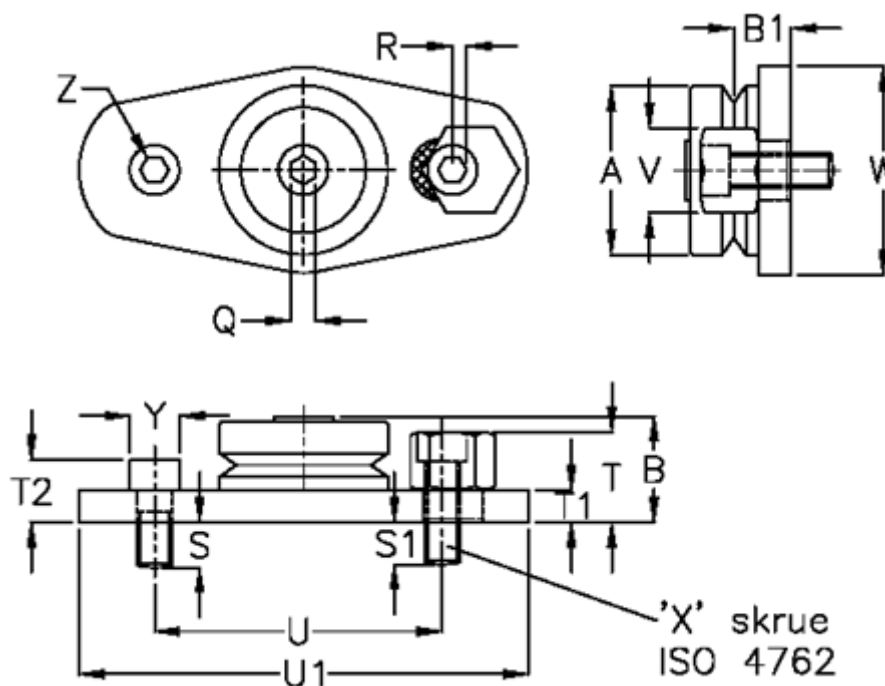


Article number: 057153301812

Description: HEPCO GV3 bearing BHJ 18 EDR
Standard for Blind hole Fixing

Measures



| | | |
|-----------|--------------------|---------|
| a = 18.0 | T1 = 4.00 | Y = 7.0 |
| B = 12.4 | T2 = 8.00 | Z = 7 |
| B1 = 6.75 | U = 38.0 | |
| Q = 2.0 | U1 = 54.0 | |
| R = 1.2 | V = 11 | |
| S = 8.00 | W = 24.5 | |
| S1 = 10.5 | Weight kg/1000 = 0 | |
| T = 10.0 | X = M4 | |